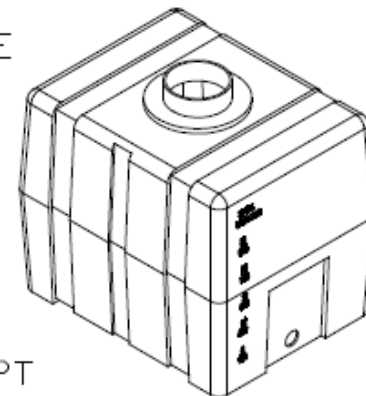
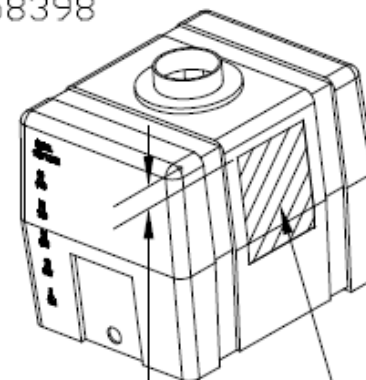
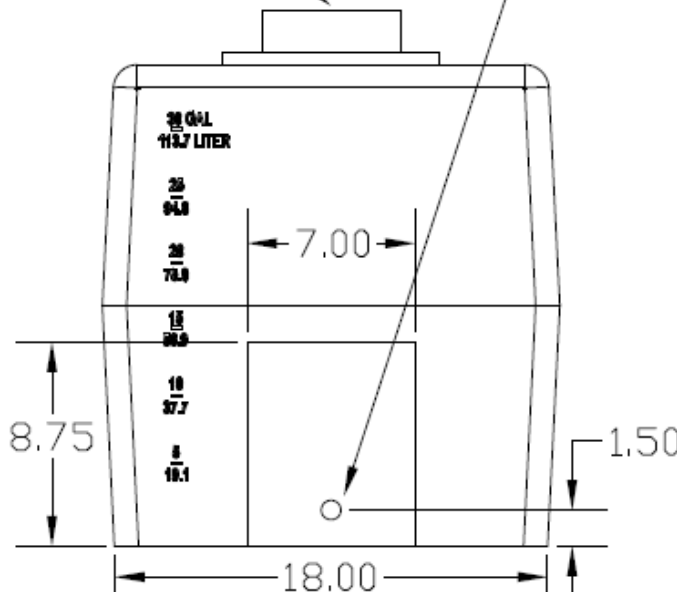
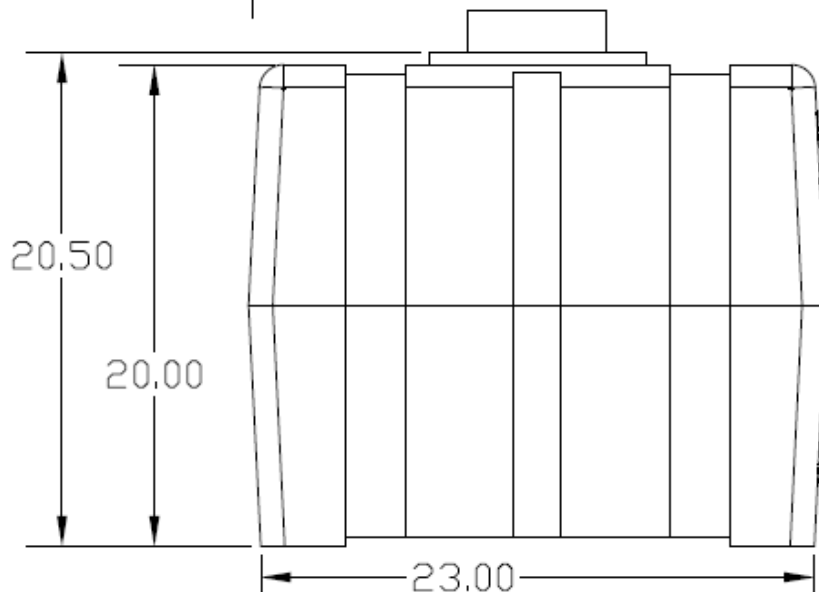


R0.25 FILLET EXCEPT WHERE OTHERWISE NOTED.

PLASTIC LID W/
ACME THREAD
5-3/4 MAJOR DIA
5-3/8 MINOR DIA
9/16 PITCH
4.81 INSIDE DIA.
PN: 3011044



3/4" FPT
BULK HEAD
PN: 2958398



2.00
8" x 10"
WARNING LABEL
PN: 1688941

		UNLESS OTHERWISE SPECIFIED		NAME	DATE
		DIMENSIONS ARE IN INCHES		DRAWN	BES 10-MAY-2012
		TOLERANCES:		CHECKED	
		FRACTIONAL ±		ENG APPR.	
		ANGULAR MACH ± BEND ±		MFG APPR.	
		TWO PLACE DECIMAL ±		QA	
		THREE PLACE DECIMAL ±		COMMENTS:	
		INTERPRET GEOMETRIC TOLERANCING PER:			
		MATERIAL			
		FINISH			
NEXT ASSY	USED ON				
APPLICATION		DO NOT SCALE DRAWING			

ROTATIONAL MOLDING TECHNOLOGIES INC.		
TITLE: 30 GALLON SQUARE WATER TANK		
SIZE	DWG. NO.	REV
A	82123909	A
SCALE: 1:8	WEIGHT:	SHEET 1 OF 1

PROPRIETARY AND CONFIDENTIAL
THE INFORMATION CONTAINED IN THIS DRAWING IS THE SOLE PROPERTY OF ROTATIONAL MOLDING TECHNOLOGIES INC. ANY REPRODUCTION IN PART OR AS A WHOLE WITHOUT THE WRITTEN PERMISSION OF ROTATIONAL MOLDING TECHNOLOGIES INC. IS PROHIBITED.